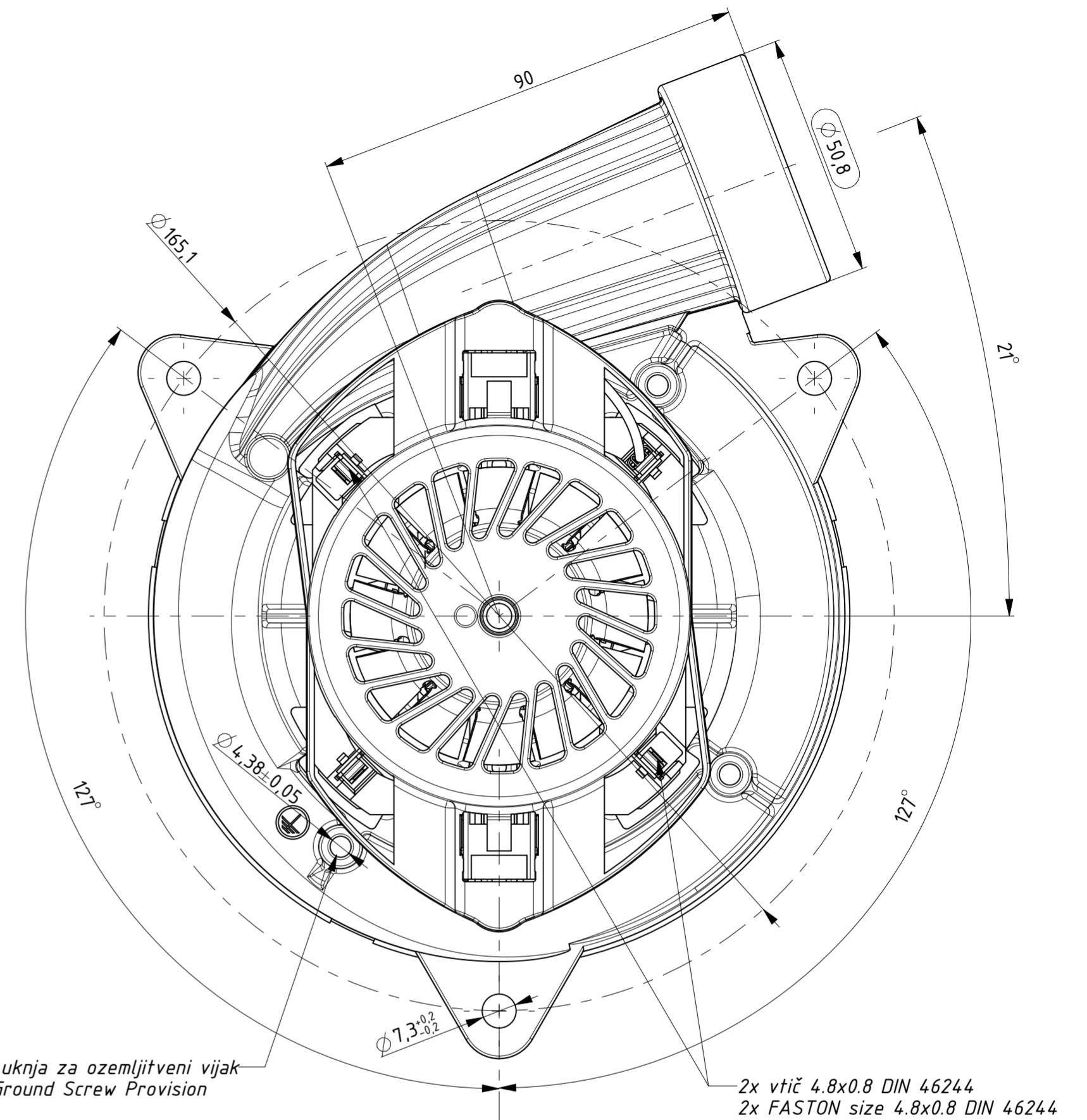
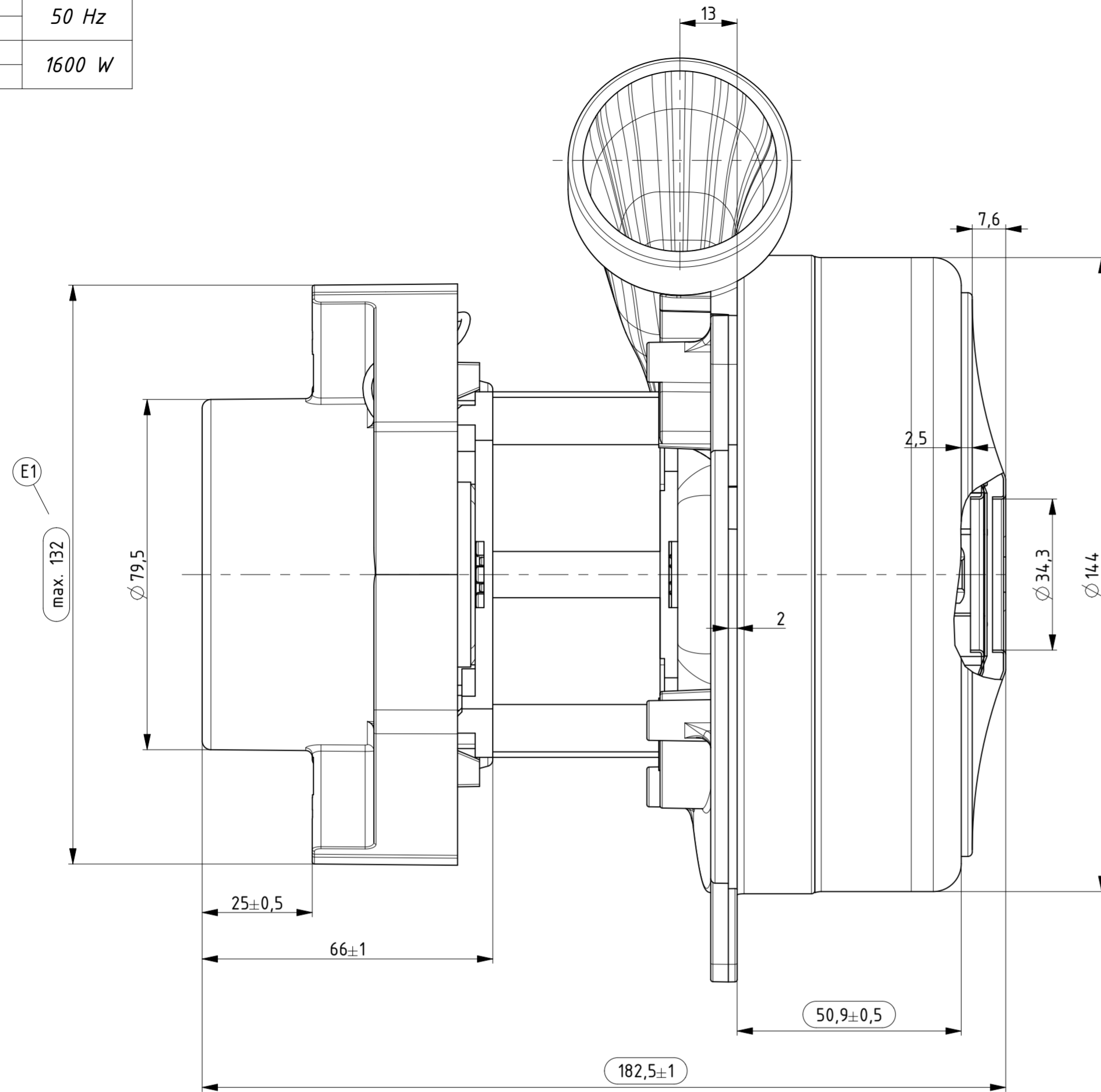


NAPETOST VOLTAGE	230 V
FREKVENCA FREQUENCY	50 Hz
NAZIVNA MOČ NOMINAL POWER	1600 W



Izdelano s CAD/ProEngineer - načno spreminjanje ni dovoljeno! Vsa prenosna sredstva tretjih oseb nam ne dovoljuje uporaba v nedogovorjene namene ni dovoljena po zakonu o avtorskih pravicah. Made with CAD/ProEngineer - changing is not allowed! Any unauthorized copying of this drawing or unauthorized distribution of the information contained herein is prohibited.

家用真空吸尘器用单相串励电动机-风机  
230 V 7,2A 50 Hz 4913.714-4  
1600 W (输入) 540 W (输出) 24000r/min  
产地: 斯洛文尼亚 Class(等级)155(F)

Oznake natisnjene na SE:  
Information stamped on VCM:

ECVS 300370 DOMEL d.o.o. 4913.714-4  
MADE IN SLOVENIA 230V 50 Hz  
XXXX I.C.I.F.

OSNOVNE ZNAČILNOSTI		TYPICAL CHARACTERISTICS	
IZVEDBA	DVOSTOPENJSKA	FAN SYSTEM	TWO STAGE
VLEŽAJENJE	DVA KROGLIČNA LEŽAJA	BEARINGS	DUAL BALL
VRSTA PRETOKA	MIMO MOTORJA	DISCHARGE	BY PASS
SMER VRTENJA	LEVA	DIRECTION OF ROTATION	CCW

All dimensions in mm.

, \* - pomembna mera  
important dimension

				Tolerance odprtih mer Tolerances without individual indications	Površinska hrapavost Surface finishing	Merilo Scale			Original format ISO 5457 - A2		
				ISO 8015 ISO 2768 - mK		Gradivo / Material					
				Datum/Date	Ime/Name	Naziv Title					
				Izdelal Designed	5.11.2009	M. Novinc	SESALNA ENOTA VACUUM CLEANER MOTOR				
				Pregl. Verified	12.12.2013	J. Rihtaršič					
E1	11064	12.12.13	I. Potočnik							List Sheet	3+
D1	10609	26.02.13	I. Potočnik							Stran Page	1
C1	10141	12.01.12	I. Potočnik								
B1	9648	26.11.10	I. Potočnik								
A0	9198	10.11.09	Novinc M.								
Ozn. Mark	Sf. Nr. of notice	Datum Date	Ime Name								
						Koda Code		4913.714-4		4913714.004_SESALNA_ENOTA	